



LED Light

LR6-230V LR6C-230V

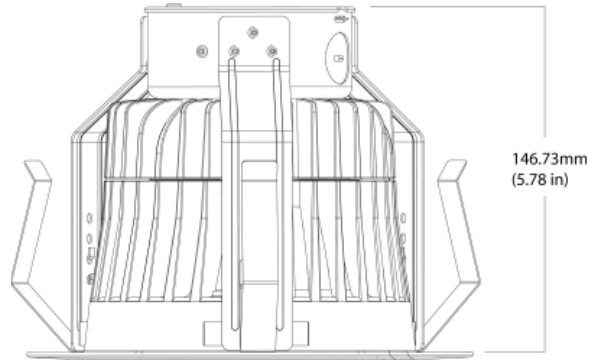
INSTALLATION INSTRUCTIONS

Note: This fixture is intended to be mounted in a 165mm hole in a ceiling of thickness 12.7mm – 16mm. Designed for use in 220-240 volt, 50 hertz protected circuit (fuse box, circuit breakers) and 90° C rated supply wire.

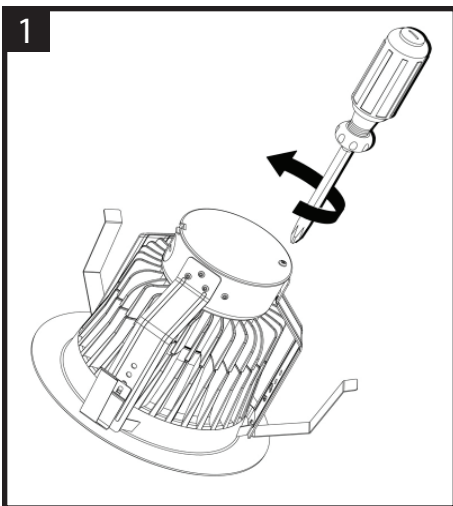
Important Safety Information

READ ALL INSTRUCTIONS BEFORE INSTALLATION

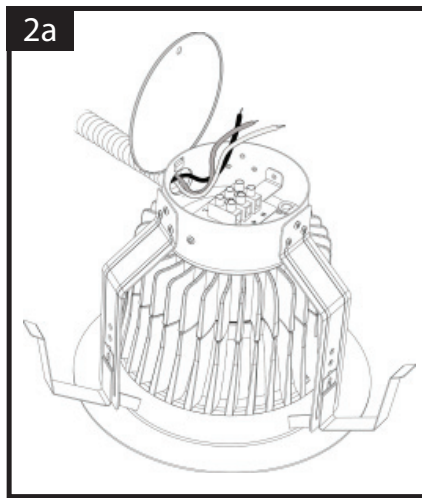
1. Before installing this fixture or doing any maintenance, make sure to turn off the power supply at the circuit breaker or fuse box.
2. Check to make sure that all input conduit connections have been properly made and the module will be grounded to avoid potential electrical shocks.
3. Do not handle energized module with wet hands, when standing on wet or damp surfaces, or in water.
4. Fixed wiring should not exceed a 2.5 sq. mm conductor size. Recommended size is 1.5 sq. mm.



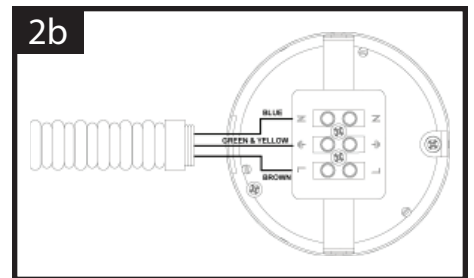
To Install:



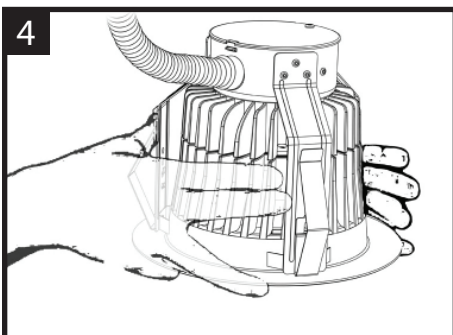
1. Remove the screw holding down the top junction box cover to access the wire connection area and terminal block inside.



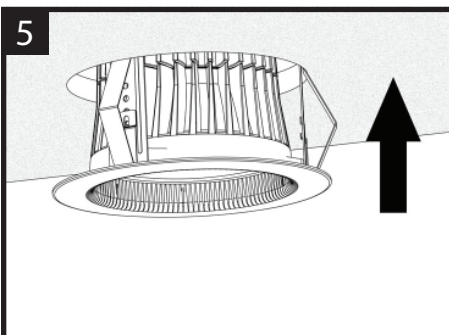
2. Insert 220-240V input conduit into the junction box, secure the conduit and insert the wires into the appropriate terminals (Fig 2a). See wiring diagram (Fig 2b).



3. Replace the junction box cover and secure it in place with the provided screw.



4. Hold in the three (3) side clips simultaneously and insert the top of the LR6 module into the open ceiling hole.



5. Slide the LR6 module in to the open hole and push completely up until the bottom flange of the LR6 is flush with the ceiling.

Removal of LR6-230V

NOTE: Make sure power to fixture is removed before attempting to disconnect LR6 module from input wires.

1. To remove LR6 module, grip firmly on the lower flange and pull downward to compress the clips.

2. Remove cover to the junction box and disconnect wiring and conduit.

NOTE: This device is not intended for use with emergency exit fixtures or emergency exit lighting.

LIMITED WARRANTY

The limited warranty set forth below is given by Cree, LED Lighting Solutions, Inc. ("CreeLLS") with respect to the lighting product packaged with this limited warranty (the "Product"). Your Product, when delivered to you in new condition in its original packaging, is warranted against defects in materials or workmanship as follows: for a period of three (3) years from the date of original purchase, defective parts or a defective Product returned to CreeLLS, or its authorized service providers, as applicable, and proven to be defective upon inspection, will be repaired, or exchanged for a new Product, as determined by CreeLLS, or the authorized service provider. This limited warranty covers all defects encountered in normal use of the Product, and does not apply in the following cases: (a) Loss of or damage to the Product due to abuse, mishandling, alteration, accident, electrical current fluctuations, failure to follow operating, maintenance or environmental instructions prescribed by CreeLLS in writing or services performed by someone other than CreeLLS or an authorized service provider. WARRANTY IS VOID IF PRODUCT IS NOT USED FOR THE PURPOSE FOR WHICH THIS PRODUCT IS MANUFACTURED. Any complaints you may have regarding the product should be addressed to Cree, LED Lighting Solutions, Inc., Keystone Technology Park VI, 617 Davis Drive, Suite 200, Morrisville, NC 27560.

NO IMPLIED WARRANTY, INCLUDING ANY IMPLIED WARRANTY OF MERCHANTABILITY OR FITNESS FOR A PARTICULAR PURPOSE, APPLIES TO THE PRODUCT AFTER THE APPLICABLE PERIOD OF THE EXPRESS LIMITED WARRANTY STATED ABOVE, AND NO OTHER EXPRESS WARRANTY OR GUARANTY, EXCEPT AS MENTIONED ABOVE, GIVEN BY ANY PERSON OR ENTITY WITH RESPECT TO THE PRODUCT SHALL BIND LLF. (SOME STATES AND PROVINCES DO NOT ALLOW LIMITATIONS ON HOW LONG AN IMPLIED WARRANTY LASTS, SO THE ABOVE LIMITATION MAY NOT APPLY TO YOU.)

This device complies with part 15 of the FCC Rules. Operation is subject to the following two conditions: (1) This device may not cause harmful interference, and (2) this device must accept any interference received, including interference that may cause undesired operation.

CAUTION:

Any changes or modifications not expressly approved by the party responsible for compliance could void the user's authority to operate the equipment.

U.S. Patent # 7,213,940
U.S. and Foreign Patents Pending
Made in China

LPN000007
Rev.E



LED Lighting Solutions
www.CreeLLS.com